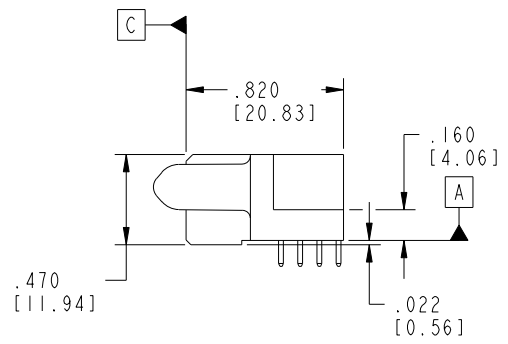
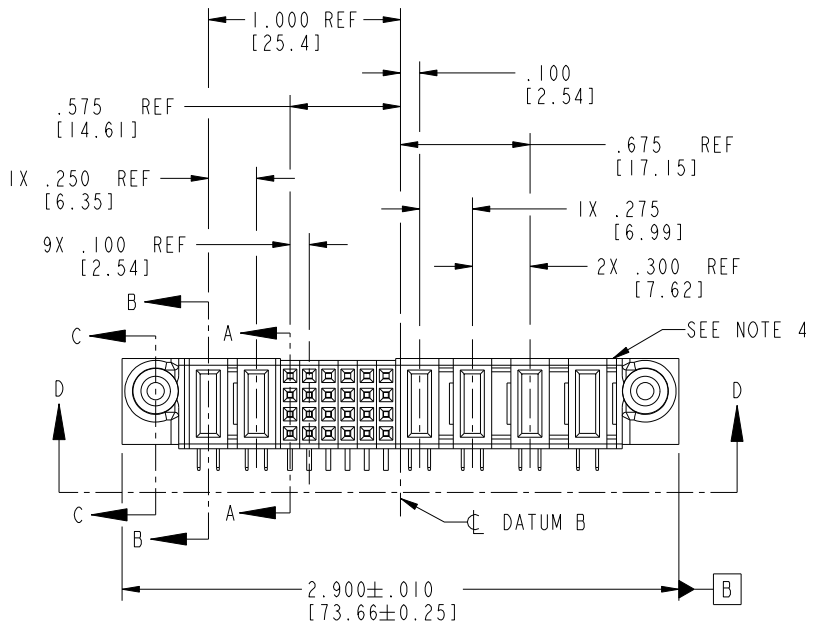
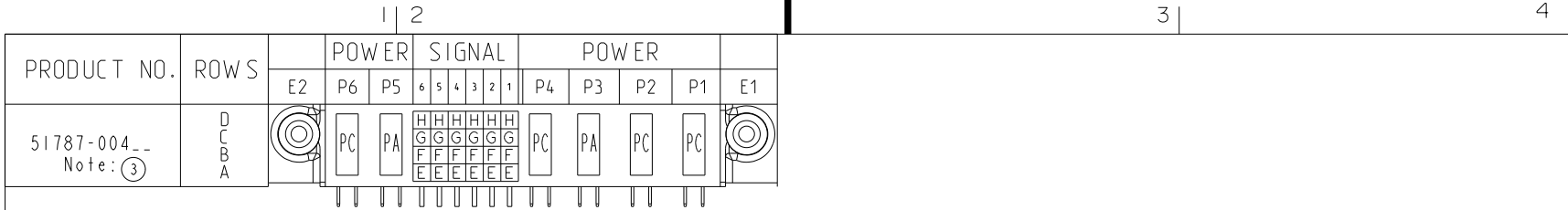


Tous droits strictement réservés. Reproduction ou communication a des tiers interdite sous quelque forme que ce soit sans autorisation écrite du propriétaire. Propriété de c FCI. Droits de reproduction FCI.



All rights strictly reserved. Reproduction or issue to third parties in any form whatever is not permitted without written authority from the proprietor. Property of FCI. Copyright FCI.



CODE	DIM "M" MATING LENGTH	CONTACT TYPE
E	N/A [N/A]	SIGNAL
F	N/A [N/A]	SIGNAL
G	N/A [N/A]	SIGNAL
H	N/A [N/A]	SIGNAL
PA	.042 [1.07]	POWER
PC	.092 [2.34]	POWER

mat'l code SEE NOTE 2				tolerances unless otherwise specified		CUSTOMER		FCI	
ltr	ecn no.	dr	date	linear	.XX±.01/0.X±0.3	COPY		www.fciconnect.com	
A	V20038	JWS	01-11-02		.XXX±.005/0.XX±0.13	projection		title 4P + 24S + 2P	
B	DG05-0170	SJ	06/19/05	angles	.XXX±.0020/0.XXX±0.051			R/A SOLDER RECEPTACLE	
C	DG08-0251	W D	09/16/08		0°±2°	INCH/MM		product family PwrBlade code 213	
				dr	J. SHAFFER 01-11-02	scale 1:1		size dwg no A 51787-004 sheet 1 of 4	
				enrg	J. ALLISON 01-11-02				
				chr	J. ALLISON 01-11-02				
				appd	J. ALLISON 01-11-02				
sheet index	revision sheet	C 1	C 2	C 3	C 4				

A

B

1 | 2

3 |

4

A

B

Pro/E

PDM: Rev: C

STATUS: Released

Printed: Sep 21, 2008

cage code 28556

Tous droits strictement réservés. Reproduction ou communication a des tiers interdite sous quelque forme que ce soit sans autorisation écrite du propriétaire. Propriété de c FCI. Droits de reproduction FCI.

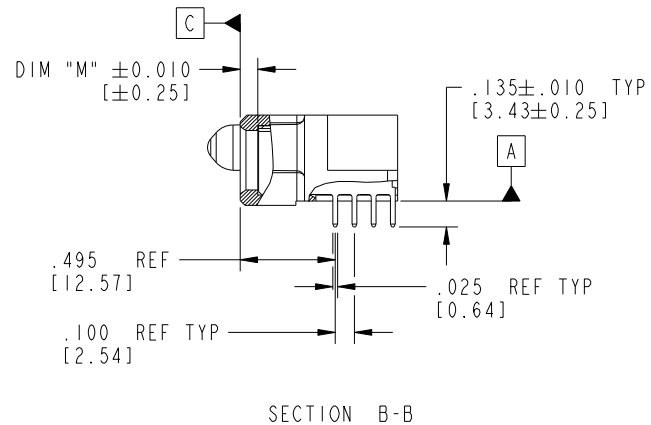
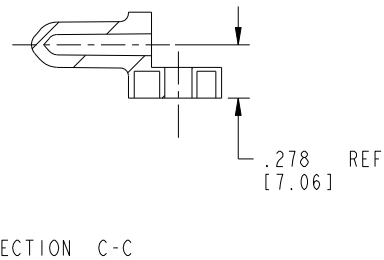
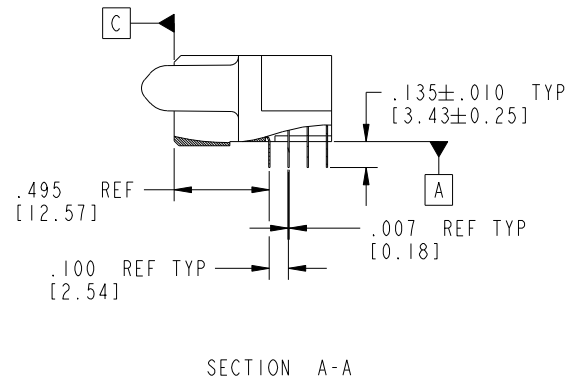
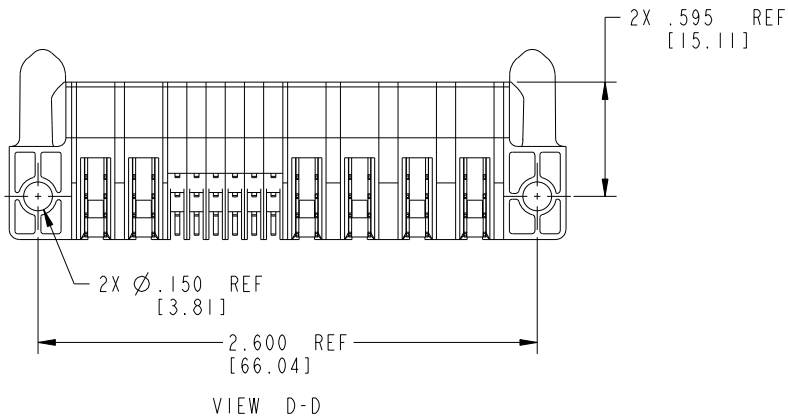
All rights strictly reserved. Reproduction or issue to third parties in any form whatever is not permitted without written authority from the proprietor. Property of FCI. Copyright FCI.



PRODUCT NUMBER

51787-004\_\_

Note: ③



mat'l code		SEE NOTE 2		tolerances unless otherwise specified		CUSTOMER		 www.fciconnect.com	
ltr	ecn no.	dr	date	linear	.XX±.01/0.X±0.3	projection	title		
C				angles	.XXY±.005/0.XX±0.13		4P + 24S + 2P		
					.XXX±.0020/0.XXX±0.051		R/A SOLDER RECEPTACLE		
				dr	J. SHAFFER 01-11-02	INCH/MM	product family		code
				enrg	J. ALLISON 01-11-02	scale	PwrBlade		213
				chr	J. ALLISON 01-11-02	1:1	size	dwg no	sheet
				appd	J. ALLISON 01-11-02		A	51787-004	2 of 4
sheet index	revision sheet								

Pro/E

PDM: Rev: C

STATUS: Released

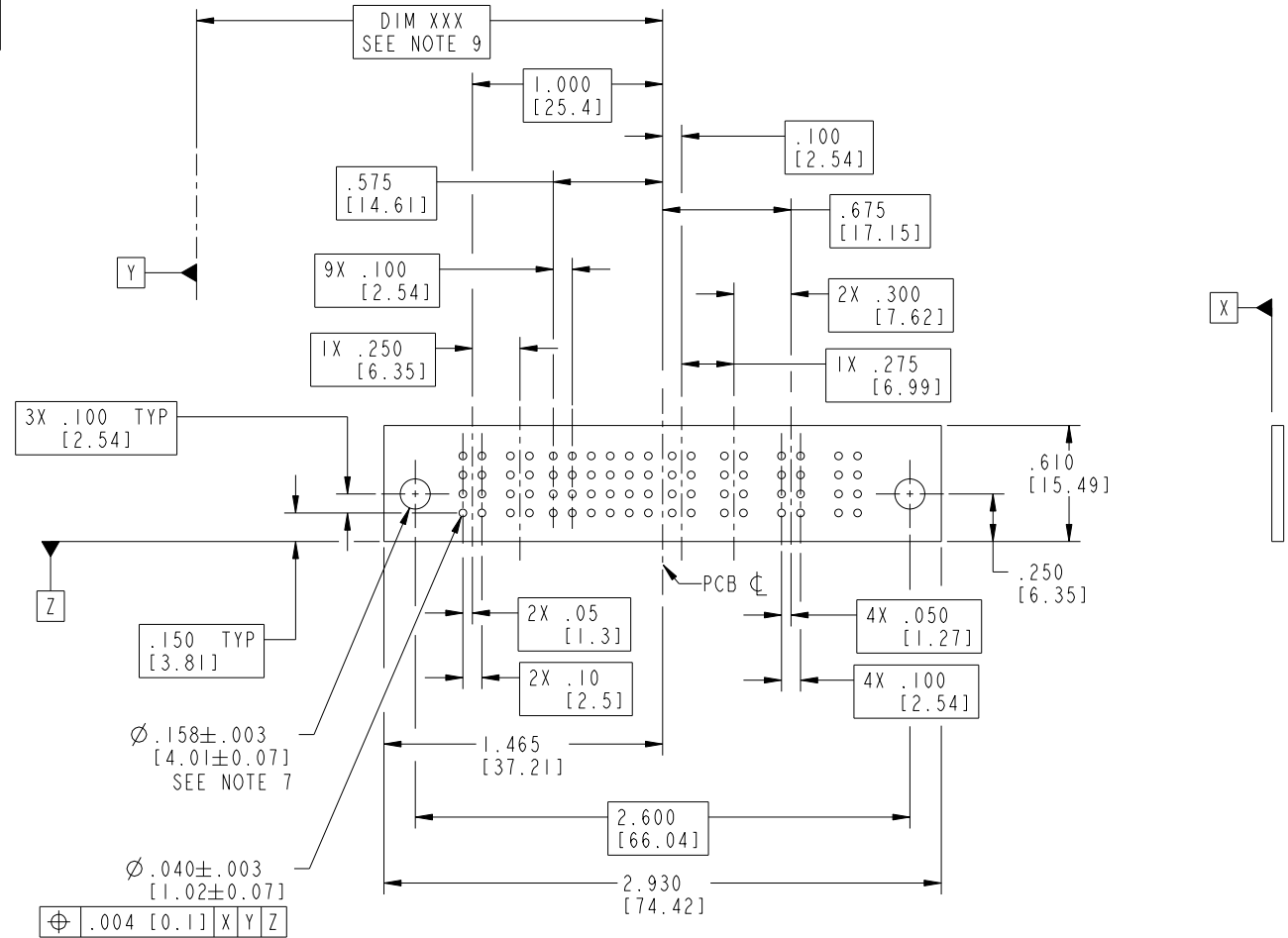
Printed: Sep 21, 2008

Tous droits strictement réservés. Reproduction ou communication a des tiers interdite sous quelque forme que ce soit sans autorisation écrite du propriétaire. Propriété de c FCI. Droits de reproduction FCI.



All rights strictly reserved. Reproduction or issue to third parties in any form whatever is not permitted without written authority from the proprietor. Property of FCI. Copyright FCI.

PRODUCT NUMBER  
51787-004--  
Note: ③



SEE NOTE 8  
SEE NOTE 7

RECOMMENDED PCB LAYOUT

mat'l code		SEE NOTE 2		tolerances unless otherwise specified		CUSTOMER		 www.fciconnect.com	
ltr	ecn no.	dr	date	linear	.XX±.01/0.X±0.3	projection	title		
C				angles	.XXY±.005/0.XX±0.13 .XXX±.0020/0.XXX±0.051		4P + 24S + 2P		
				dr	J. SHAFFER 01-11-02	INCH/MM	R/A SOLDER RECEPTACLE		
				enrg	J. ALLISON 01-11-02	scale	product family		code
				chr	J. ALLISON 01-11-02	1:1	PwrBlade		213
				appd	J. ALLISON 01-11-02		size	dwg no	sheet
sheet index	revision sheet						A	51787-004	3 of 4

Pro/E

PDM: Rev: C

STATUS: Released

Printed: Sep 21, 2008



1 | 2

3 |

4

PRODUCT NUMBER  
51787-004--  
Note: ③

NOTES:

① DIMENSIONS AND TOLERANCES ARE IN ACCORDANCE WITH ASME Y14.5M, 1994 UNLESS OTHERWISE SPECIFIED.

CONNECTORS NOTES:

② HOUSING MATERIAL: UL 94 V-0 GLASS FILLED HIGH TEMP THERMO PLASTIC  
POWER CONTACT MATERIAL: COPPER ALLOY  
SIGNAL PIN MATERIAL: COPPER ALLOY

△ 3. SEE ITEM 5 & 6 IN PRINT 10064183 FOR PLATING SPEC OF 51787-004 AND 51787-004LF RESPECTIVELY.

④ "MANUFACTURER" NAME, P/N, AND DATE CODE TO APPEAR ON THIS SURFACE.

⑤ PRODUCT SPECIFICATION GS-12-149.

PCB - NOTES:

⑥ ALL HOLE DIAMETERS ARE FINISHED HOLE SIZE.

7. HOLD DOWN THROUGH HOLES ARE UNPLATED.

8.  $\varnothing .0453 \pm 0.0010$  [1.151 ± 0.025] DRILLED HOLES PLATED WITH 0.0003 [0.008] MIN SnPb OVER .001 [0.03] TO .003 [0.08] Cu PLATING TO ACHIEVE  $\varnothing .040 \pm .003$  [1.02 ± .07] HOLE.

9. "DIM XXX" TO BE DETERMINED BY THE CUSTOMER.

10. A △ SYMBOL WILL BE NEXT TO ANY DIMENSION, VIEW, OR NOTE WHICH HAS BEEN MODIFIED WITH THE CURRENT DRAWING REVISION.

mat'l code		SEE NOTE 2		tolerances unless otherwise specified		CUSTOMER		FCI		www.fciconnect.com	
ltr	ecn no.	dr	date	linear	.XX±.01/0.X±0.3	COPY		projection		title	
C					.XX±.005/0.XX±0.13					4P + 24S + 2P	
				angles	.XXX±.0020/0.XXX±0.051					R/A SOLDER RECEPTACLE	
				dr	0° ± 2°			INCH/MM		product family	
				engr	J. SHAFFER 01-11-02			scale		PwrBlade	
				chr	J. ALLISON 01-11-02			1:1		code	
				appd	J. ALLISON 01-11-02			A		213	
sheet index		revision sheet						size		sheet	
								A		4 of 4	
								51787-004			

A

A

B

B

1 | 2

Pro/E

PDM: Rev: C

STATUS: Released

Printed: Sep 21, 2008

cage code 28526

4